

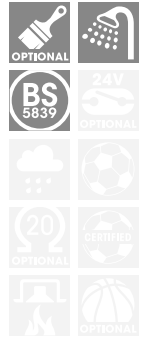
100V

10W Adaptions 1,5/3/6/10W



Certificat No. 1438-CPR-0760

Under fire regulation



Description

This loudspeaker is tested by a notified product certification authority and certified to EN 54-24:2008.

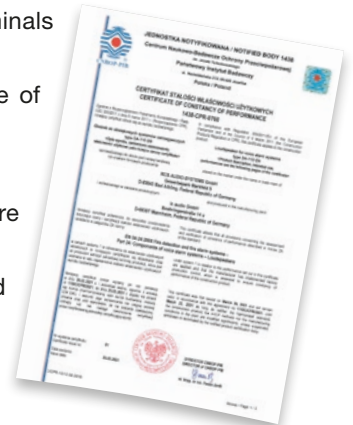
This ceiling loudspeaker made of plastic-coated metal has, like all our EN 54-24 loudspeakers, been specially developed and optimized for voice alarm systems. Equipped with a broadband speaker, it is ideal for voice announcements and background music with very good sound quality in buildings.

The speaker has a fire pot and conforms to **British Standard BS 5839, Part 8**.

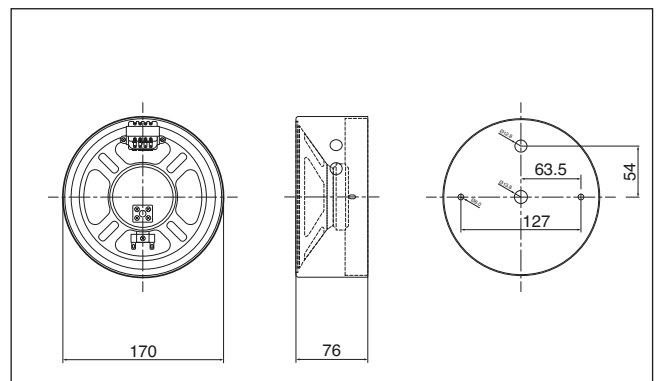
Please consider the following features:

- 165 mm broadband chassis for excellent speech and music reproduction.
- Plastic coated metal version
- Quick and uncomplicated assembly by screwing the metal back wall.
- Flat and elegant design for inconspicuous installations, because of the metal back plate without an annoying »collar«.

- 2-pole ceramic terminals with thermal fuse
- Temperature resistance of -10/+55 °C
- Protection class IP21C
- Speaker with moisture impregnation.
- The speaker is delivered with a metal back plate.



Technical data	DA-110 EN
Load rating (program)	10 (15) W
Transformer tapings at 100V	10 / 6 / 3 / 1,5 W
Frequency range (±10dB)	230 – 24.000 Hz
Sound pressure at 1 W/1 m	93,0 dB
Sound pressure Pmax/4 m	100,2 dB
Sensitivity 1 W/4 m, EN54-24	81,0 dB
Angle of refl. beam -6dB 1/2/4 kHz	180° /105° / 50°
Speaker Ø / impedance	165 mm / 8 Ohm
Dimensions Ø / Height	Ø 170 mm x 76 mm
Weight, Colour	1,23 kg; white (similar to RAL 9010)



Model designation

Alarming Ceiling Speaker **DA-110 EN**
10 W, with 100 V-transformer, white