

100V

PASSIVE

ACTIVE



Control-program combination



Surface mount socket EG-200

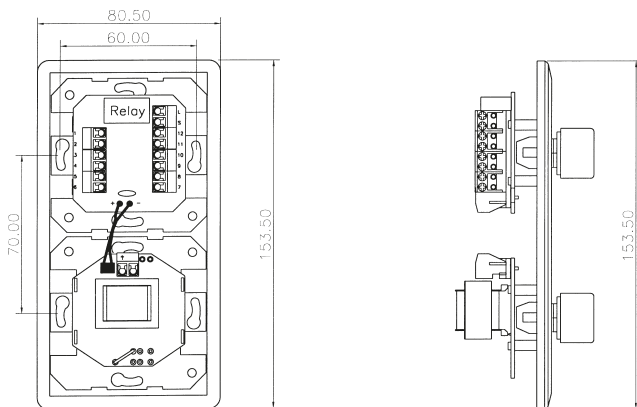
Description

This new LPW presents the combination of a volume control and a program selector switch. It's possible to choose 5 channels and to individually adjust the volume. For technical facts of the program selector switches and volume controls please look on the left side.

The LPW-combinations are basically constructed with a 24V emergency call relay which enables an emergency call even when all controls or program selector switches are in 0-position. The LPW combination fit in 2 cavity wall sockets (orange).

★

Rear and Front view of the Control-program combination



Model designations

Control-Program-Combination, up to 50 W **LPW-150R**
alpine white with relay

The surface mount socket **EG-200** (plastic) is made for flush-mounting installation of the control-program combination.

Mounting Case, 2-fold (flush-mounting, plastic) **EG-200**



with relay

Description

The automatic volume control is done by a matching transformer of 100V and a switch with 11 steps (10 control steps, each 3 decibel + 1 zero position). The switches are overwirable in order to avoid wilful demolition.

The volume controls come with **emergency call relay**. They are suitable for every standard 60mm mount socket. Cover plates and frames are in a modern, discreet design.

If a building project is planned to be equipped with the same surface, use of volume controls without cover plate and frame is possible, as shown on the right. If necessary, the attached control knob can also be changed.

- Attenuation in 10 steps.
- Audio transformer for 100V transmission technology.
- Flush mounting, surface mounting with suitable, optionally available mounting case EG-101.

Model designations

Volume Control up to 50 W, alpine white with relay **LR-150R**

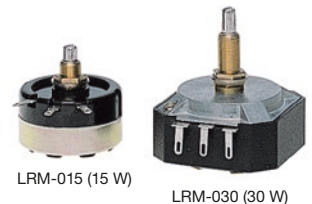
Volume Control up to 100 W, alpine white with relay **LR-1100R**

The surface mount socket **EG-101** (plastic) is made for flush-mounting installation of the control-program combination.

Mounting Case, 1-fold (flush-mounting, plastic) **EG-101**

Volume-Control (mono)

These mono loudspeaker level controls (volume controls) are used to adjust the volume of loudspeakers on low-impedance use. They are especially suitable for the mounting in cabinet speakers etc.



LRM-015:
15 W, Imp. 4 – 8 Ohm (± 25 %), Regelbereich 0 – 40 dB, Achs-Ø 6 mm, Gehäuse Ø 41 x (H) 24 mm
LRM-030:
30 W, Imp. 4 – 8 Ohm (± 25 %), Regelbereich 0 – 40 dB, Achs-Ø 6 mm, Gehäuse Ø 50 x 50 x 28 mm

Model designations

Volume-Control, 15 W **LRM-015**

Volume-Control, 30 W **LRM-030**